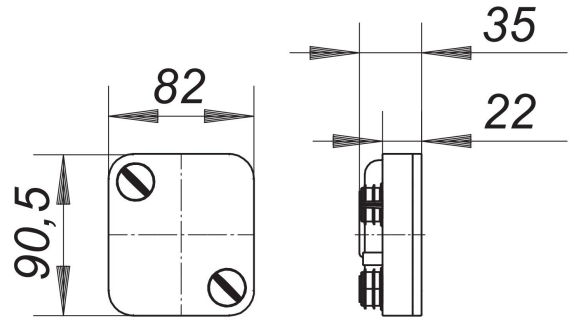


## condensate trap insert 138 K

Part number: 026101  
GTIN: 4001636026101  
Rebate group: 1



### Description:

condensate trap insert 138 K  
spare part

### Spare parts:

026200 built-in condensate trap 138, DN 32