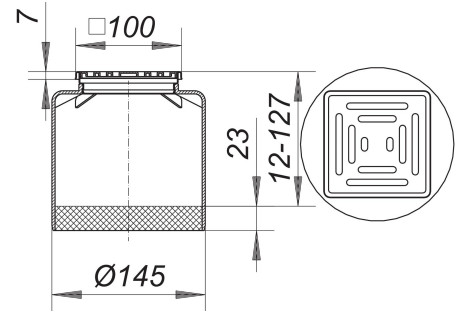


grating EC 15, 100 x 100 mm

Part number: 500052
GTIN: 4001636500052
Rebate group: 3



Description:

grating EC 15, 100 x 100 mm
used with floor drains type 54, 55, 57, 58, 61 and 61/1
spigot polypropylene, frame 304 stainless steel, 100 x 100 mm
grate 304 stainless steel, load class K 3 (300 kg)