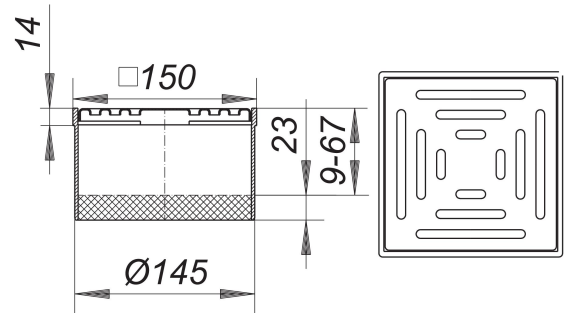


grating KE 15, 150 x 150 mm

Part number: 500113
GTIN: 4001636500113
Rebate group: 3



Description:

grating KE 15, 150 x 150 mm
used with floor drains type 54, 55, 57, 58, 61 and 61/1
spigot polypropylene, frame polypropylene, 150 x 150 mm
grate 304 stainless steel, load class K 3 (300 kg)