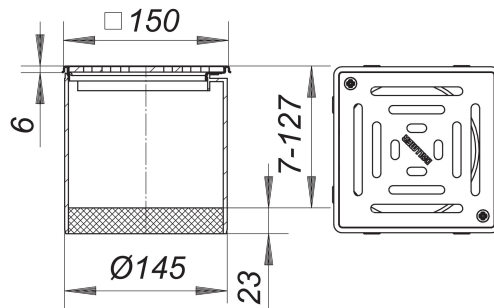


grating VES 15, laterally adjustable, secured, 150 x 150 mm

Part number: 500168
GTIN: 4001636500168
Rebate group: 3



Description:

grating VES 15, laterally adjustable, secured, 150 x 150 mm
used with floor drains type 54, 55, 57, 58, 61 and 61/1
spigot polypropylene, frame 304 stainless steel, 150 x 150 mm, +/- 15 mm lateral adjustment
grate 5 mm 316L stainless steel, secured, load class L 15 (1.5 t)