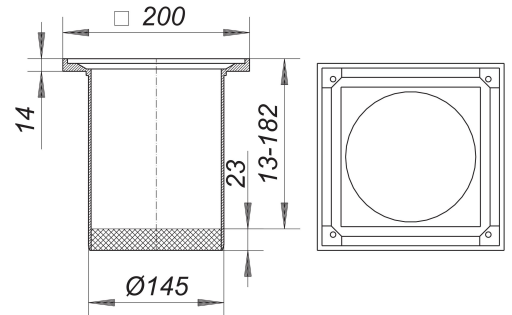


frame GES 15, 200 x 200 mm

Part number: 500700
GTIN: 4001636500700
Rebate group: 3



Description:

frame GES 15, 200 x 200 mm
used with floor drains type 54, 55, 57, 58, 61 and 61/1
frame polypropylene, 200 x 200 mm, with threaded inserts,
spigot polypropylene