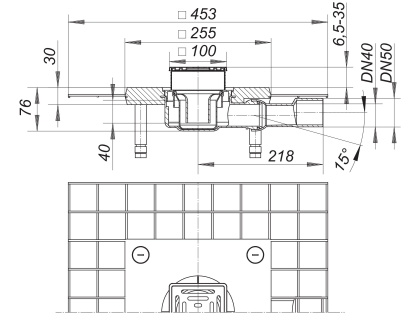
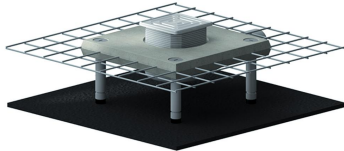


**sound-insul. fl. dr. CeraDrain Plan VC 10, DN 40/DN 50, 100 x 100 mm**

Part number: 514042  
 GTIN: 4001636514042  
 Rebate group: 5

**Description:**

sound-insul. fl. dr. CeraDrain Plan VC 10, DN 40/DN 50, 100 x 100 mm

frame 304 stainless steel, 100 x 100 mm

**Flow rates tested to DIN EN 1253:**

Nominal diameter	Product standard	Min. flow rate according to norm	Water level according to norm
DN 40	DIN EN 1253	0.60 l/s	20.00 mm
DN 50	DIN EN 1253	0.80 l/s	20.00 mm

**Spare parts:**

501011 grate E 90, 90 x 90 mm

590282

482013 trap insert for TistoPlan