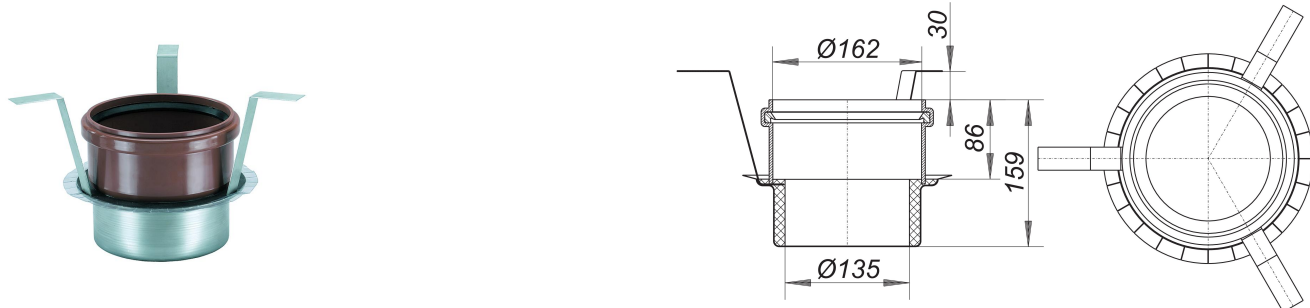


fire + sound-insulating collar installation kit 5, DN 70/DN 100

Part number: 515056

GTIN: 4001636515056

Rebate group: 3



Description:

fire + sound-insulating collar installation kit 5, DN 70/DN 100

used with floor drain bodies 61 HT, 61 HT DallBit, 61 HT PP-NIRO, 61 HT DallBit PP-NIRO, 61 GA, 61 GA DallBit in DN 100 size and type 62 H roof drains DN 70

For installation in core drills (d: 200 mm) in F 30/60/90/120 rated floors.

specification:

- insertion element
- intumescent material
- built-in hangers
- mortar guard
- sound-insulating collar
- blanking plate

connects to:

plastic pipework DN 100 with couplings (if used with types 61 HT),

cast iron pipework DN 100 with Rapid-connectors (if used with types 61 GA)