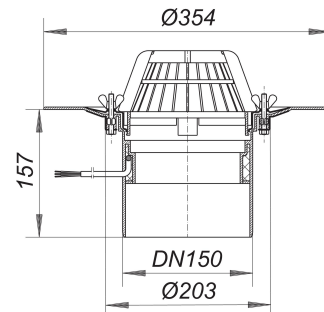


roof drain type 62 H clamp ring, heated, DN 150

Part number: 621191
 GTIN: 4001636621191
 Rebate group: 10



Description:

roof drain type 62 H clamp ring, heated, DN 150
 conforming to DIN EN 1253
 with stainless steel clamp ring to secure all single-ply membranes

specification:

- insulated drain body
- outlet vertical
- domed grate

material:

polypropylene, UV-stabilized

H = roof drain heated version

Connect to 230 V supply, conforming to VDE 0721, Part 1/3.78

Power per drain: 15 watts

Current per drain: 0.06 amps

Suggested current per roof area: 16 amps

Flow rates tested to DIN EN 1253:

| Nominal diameter | Outlet direction | Min. flow rate according to norm | Water level according to norm | Flow rate at water level 5 mm | Flow rate at water level 15 mm | Flow rate at water level 25 mm | Flow rate at water level 35 mm | Flow rate at water level 45 mm | Flow rate at water level 55 mm | Flow rate at water level 65 mm | Flow rate at water level 75 mm |
|------------------|------------------|----------------------------------|-------------------------------|-------------------------------|--------------------------------|--------------------------------|--------------------------------|--------------------------------|--------------------------------|--------------------------------|--------------------------------|
| DN 150 | 8.10 l/s | 45.00 mm | 0.90 l/s | 3.70 l/s | 6.50 l/s | 9.30 l/s | 12.80 l/s | 16.50 l/s | 21.50 l/s | | |
| DN 150 | 8.10 l/s | 45.00 mm | 1.00 l/s | 4.20 l/s | 7.10 l/s | 10.30 l/s | 14.10 l/s | 18.00 l/s | 22.60 l/s | 28.40 l/s | |
| DN 150 | 8.10 l/s | 45.00 mm | 0.80 l/s | 3.20 l/s | 5.80 l/s | 8.10 l/s | 9.20 l/s | 10.20 l/s | 11.00 l/s | | |