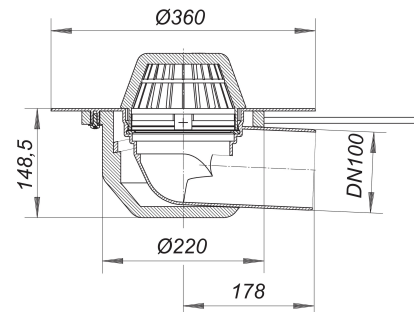


roof drain type 64 H PVC, heated, DN 100

Part number: 641052
 GTIN: 4001636641052
 Rebate group: 10



Description:

roof drain type 64 H PVC, heated, DN 100
 conforming to DIN EN 1253
 one-piece drain, moulded in PVC, PVC membranes can be welded to the flange

specification:

- insulated drain body
- side outlet DN 70 or DN 100, 3 degrees fall
- domed grate

material:

PVC

H = roof drain heated version

Connect to 230 V supply, conforming to VDE 0721, Part 1/3.78

Power per drain: 15 watts

Current per drain: 0.06 amps

Suggested current per roof area: 16 amps

DN 70 connects to BS4514 75 mm pipework with 880345 adaptor

Flow rates tested to DIN EN 1253:

Nominal diameter	Min. flow rate according to norm	Water level according to norm	Flow rate at water level 5 mm	Flow rate at water level 15 mm	Flow rate at water level 25 mm	Flow rate at water level 35 mm	Flow rate at water level 45 mm	Flow rate at water level 55 mm	Flow rate at water level 65 mm	Flow rate at water level 75 mm
DN 100	4.50 l/s	35.00 mm	0.60 l/s	2.70 l/s	5.10 l/s	7.80 l/s	11.40 l/s	15.25 l/s	19.40 l/s	24.20 l/s
DN 100	4.50 l/s	35.00 mm	0.90 l/s	3.70 l/s	6.40 l/s	8.90 l/s	12.10 l/s	15.90 l/s	20.10 l/s	
DN 100	4.50 l/s	35.00 mm	1.10 l/s	3.80 l/s	6.00 l/s	7.00 l/s	7.30 l/s	7.50 l/s	7.70 l/s	